

QUADRATURE CLOCK CONVERTER

June 2015

FEATURES:

- x1, x2 and x4 resolution
- Programmable output pulse width (200ns to 140µs)
- Excellent regulation of output pulse width
- TTL and low voltage CMOS compatible I/Os
- +3V to +12V operation (VDD - VSS)
- **LS7183N, LS7184N** (DIP);
LS7183NS, LS7184NS (SOIC) - See Figure 1

Applications:

- Interface incremental encoders to Up / Down Counters (See Figure 6A and Figure 6B)
- Interface rotary encoders to Digital Potentiometers (See Figure 7)

DESCRIPTION:

The **LS7183N** and **LS7184N** are CMOS quadrature clock converters. Quadrature clocks derived from optical or magnetic encoders, when applied to the A and B inputs of the **LS7183N / LS7184N**, are converted to strings of Up Clocks and Down Clocks (**LS7183N**) or to a Clock and an Up/Down direction control (**LS7184N**). These outputs can be interfaced directly with standard Up/Down counters for direction and position sensing of the encoder.

INPUT/OUTPUT DESCRIPTION:

RBIAS (Pin 1)

Input for external component connection. A resistor connected between this input and VSS adjusts the output clock pulse width (Tow).

VDD (Pin 2)

Supply Voltage positive terminal.

VSS (Pin 3)

Supply Voltage negative terminal.

A, B (Pin 4, Pin 5)

Quadrature Clock inputs A and B. Directional output pulses are generated from the A and B clocks according to Fig. 2. A and B inputs have built-in immunity for noise signals less than 50ns duration (Validation delay, T_{VD}). The A and B inputs are inhibited during the occurrence of a directional output clock (UPCK or DNCK), so that spurious clocks resulting from encoder dither are rejected.

MODE (Pin 6)

MODE is a 3-state input to select resolution x1, x2 or x4. The input quadrature clock rate is multiplied by factors of 1, 2 and 4 in x1, x2 and x4 mode, respectively, in producing the output UP/DN clocks (See Fig. 2). x1, x2 and x4 modes selected by the MODE input logic levels are as follows:

- Mode = 0 : x1 selected
- Mode = 1 : x2 selected
- Mode = Float : x4 selected

PIN ASSIGNMENT - TOP VIEW

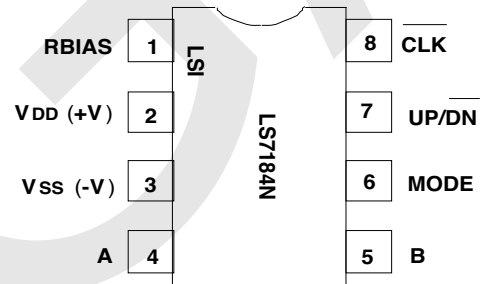
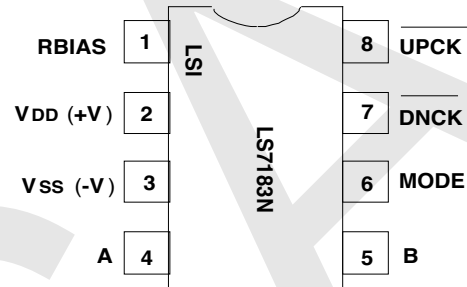


FIGURE 1

LS7183N - DNCK (Pin 7)

In **LS7183N**, this is the DOWN Clock Output. This output consists of low-going pulses generated when A input lags the B input.

LS7184N - UP/DN (Pin 7)

In **LS7184N**, this is the count direction indication output. When A input leads the B input, the UP/DN output goes high indicating that the count direction is UP. When A input lags the B input, UP/DN output goes low, indicating that the count direction is DOWN.

LS7183N - UPCK (Pin 8)

In **LS7183N**, this is the UP Clock output. This output consists of low-going pulses generated when A input leads the B input.

LS7184N - CLK (Pin 8)

In **LS7184N**, this is the combined UP Clock and DOWN Clock output. The count direction at any instant is indicated by the UP/DN output (Pin 7).

NOTE: For the **LS7184N**, the timing of CLK and UP/DN requires that the counter interfacing with **LS7184N** counts on the rising edge of the CLK pulses.

ABSOLUTE MAXIMUM RATINGS:

PARAMETER	SYMBOL	VALUE	UNITS
DC Supply Voltage	$V_{DD} - V_{SS}$	16	V
Voltage at any input	V_{IN}	$V_{SS}-0.3$ to $V_{DD}+0.3$	V
Operating temperature	T_A	-20 to +85	°C
Storage temperature	T_{STG}	-55 to 150	°C

DC ELECTRICAL CHARACTERISTICS: (Unless otherwise specified $V_{DD}=3V$ to $12V$ and $T_A=-20^{\circ}C$ to $+85^{\circ}C$)

PARAMETER	SYMBOL	MIN	TYP	MAX	UNITS	CONDITION
Supply Voltage	V_{DD}	3	-	12	V	-
Supply Current	I_{DD}	-	1.5	1.65	mA	$V_{DD}=12V$, all input frequencies=0 Hz and $R_{BIAS}=2M\Omega$

MODE INPUT:

Logic 0	V_{ml}	-	-	0.5	V	-
Logic 1	V_{mh}	$V_{DD} - 0.5$	-	-	V	-
Logic Float	V_{mf}	$(V_{DD}/2) - 0.5$	$V_{DD}/2$	$(V_{DD}/2) + 0.5$	V	-
Logic 0 Input Current	I_{ml}	-	2.2	4.2	μA	$V_{DD} = 3V$
	I_{ml}	-	3.5	6.9	μA	$V_{DD} = 5V$
	I_{ml}	-	8.3	16.2	μA	$V_{DD} = 12V$
Logic 1 Input Current	I_{mh}	-	-2	-9.8	μA	$V_{DD} = 3V$
	I_{mh}	-	-3.4	-6.6	μA	$V_{DD} = 5V$
	I_{mh}	-	-8.2	-16	μA	$V_{DD} = 12V$

A,B INPUTS:

Logic 0	V_{ABl}	-	-	$0.25V_{DD}$	V	-
Logic 1	V_{ABh}	$0.7V_{DD}$	-	-	V	-
Input Current	I_{ABlk}	-	0	10	nA	-

RBIAS INPUT:

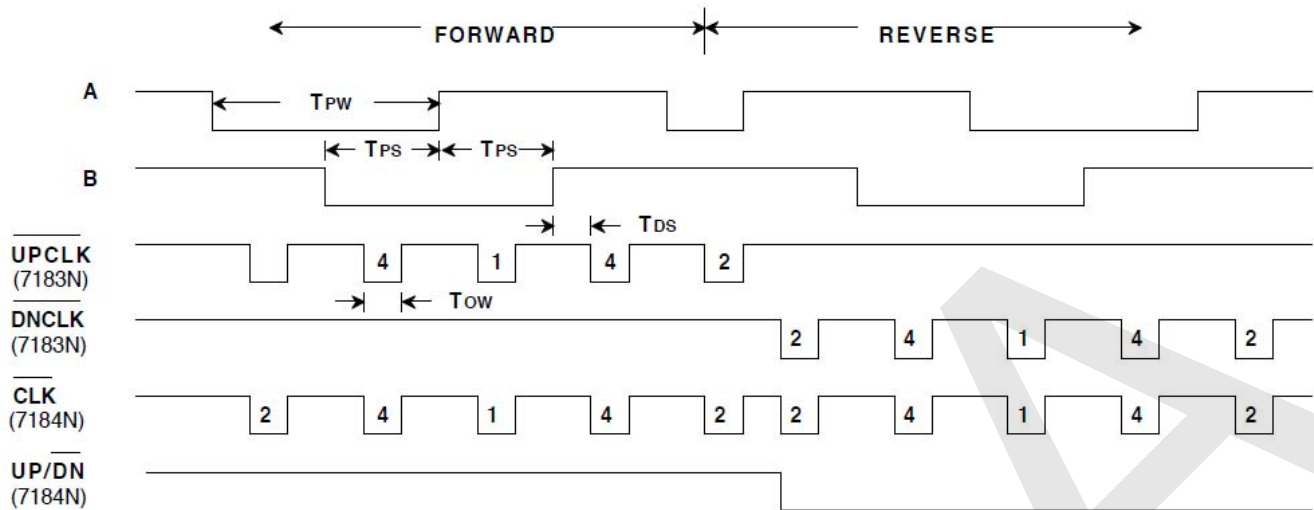
External Resistor	R_B	2K	-	10M	Ω	-
-------------------	-------	----	---	-----	----------	---

ALL OUTPUTS:

Sink Current	I_{ol}	-	-3.4	-	mA	$V_O = 0.5V, V_{DD} = 3V$
	I_{ol}	-	-4.8	-	mA	$V_O = 0.5V, V_{DD} = 5V$
	I_{ol}	-	-7.2	-	mA	$V_O = 0.5V, V_{DD} = 12V$
Source Current	I_{oh}	-	1.7	-	mA	$V_O = 2.5V, V_{DD} = 3V$
	I_{oh}	-	2.2	-	mA	$V_O = 4.5V, V_{DD} = 5V$
	I_{oh}	-	3.1	-	mA	$V_O = 11.5V, V_{DD} = 12V$

TRANSIENT CHARACTERISTICS ($T_A = -20^{\circ}C$ to $+85^{\circ}C$)

PARAMETER	SYMBOL	MIN	TYP	MAX	UNITS	CONDITION
Output Clock Pulse Width	T_{OW}	540	-	-	ns	$V_{DD} = 3V$
	T_{OW}	225	-	-	ns	$V_{DD} = 5V$
	T_{OW}	112	-	-	ns	$V_{DD} = 12V$
A,B INPUTS: Validation Delay	T_{VD}	-	450	-	-	$V_{DD} = 3V$
	T_{VD}	-	200	-	-	$V_{DD} = 5V$
	T_{VD}	-	90	-	-	$V_{DD} = 12V$
Phase Delay	T_{PS}	$T_{VD}+T_{OW}$	-	∞	s	-
Pulse Width	T_{PW}	$2T_{PS}$	-	∞	s	-
Frequency	$f_{A,B}$	-	-	$1/(2T_{PW})$	Hz	-
Input to output Delay	T_{DS}	-	490	565	ns	$V_{DD} = 3V$
	T_{DS}	-	220	345	ns	$V_{DD} = 5V$
	T_{DS}	-	125	135	ns	$V_{DD} = 12V$



NOTE: Output clocks labeled 1, 2 and 4 have the following interpretations.
 1: Generated in x1, x2 and x4 modes
 2: Generated in x2 and x4 modes only
 4: Generated in x4 mode only

FIGURE 2. LS7183N, LS7184N INPUT/OUTPUT TIMING

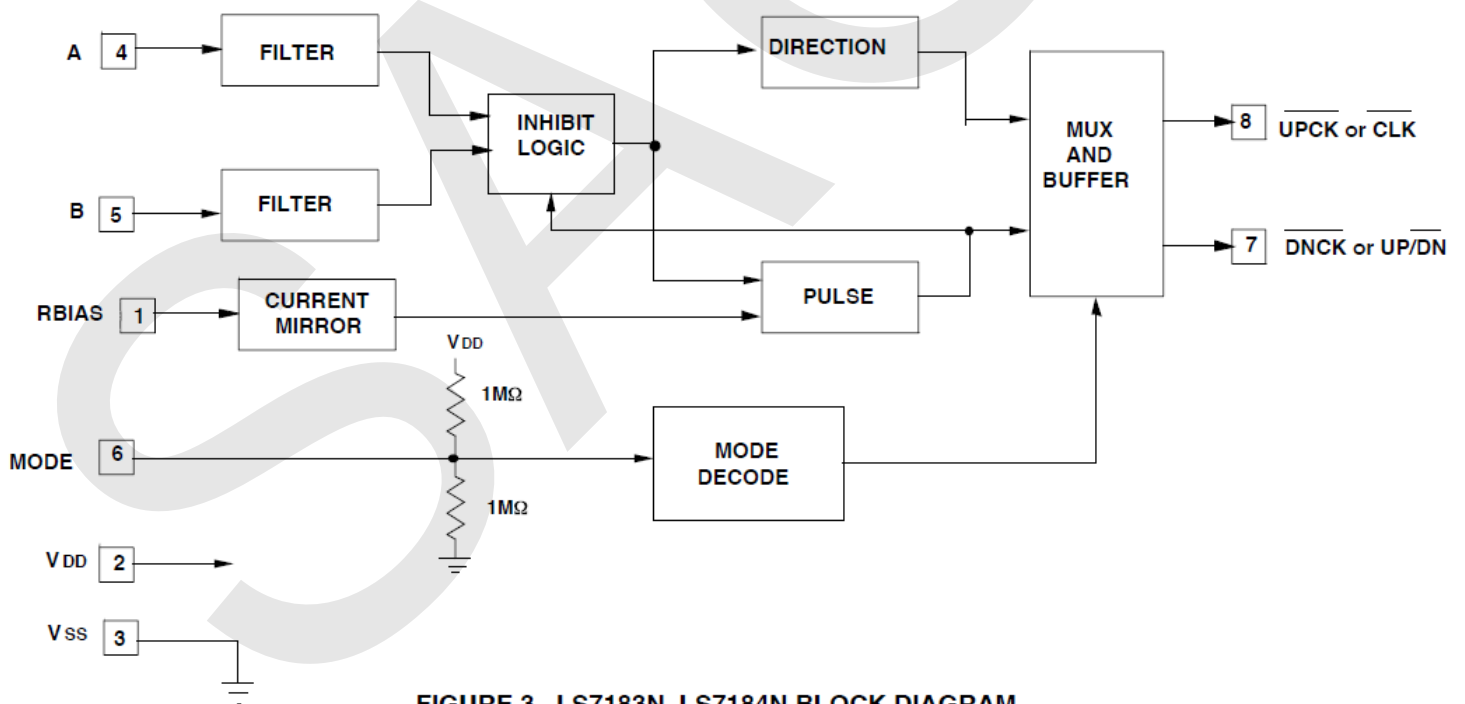


FIGURE 3. LS7183N, LS7184N BLOCK DIAGRAM

The information included herein is believed to be accurate and reliable. However LSI Computer Systems, Inc assumes no responsibilities to inaccuracies, or to any infringements of patent rights of others which may result from its use.

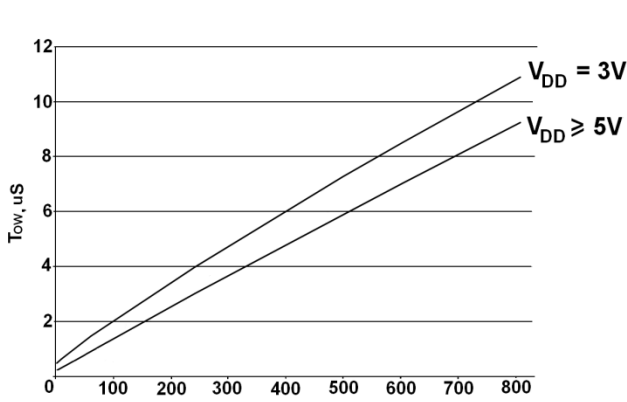


Figure 4. T_{ow} vs. R_{BIAS} (R in $K\Omega$)

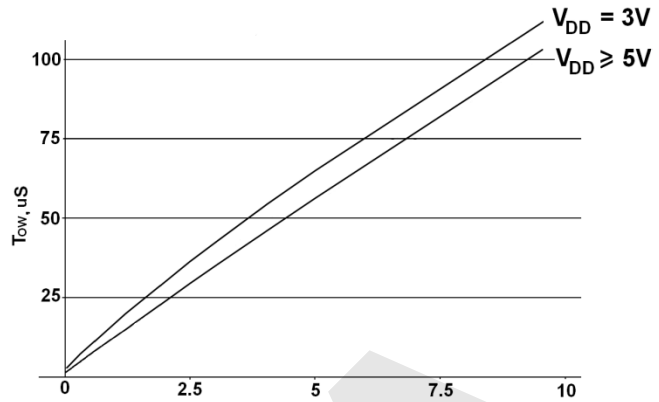


Figure 5. T_{ow} vs. R_{BIAS} (R in $M\Omega$)

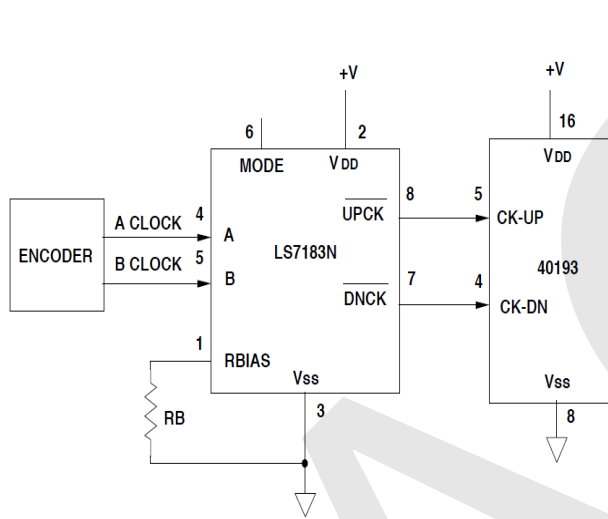


Figure 6A. TYPICAL APPLICATION FOR LS7183 in X4 MODE

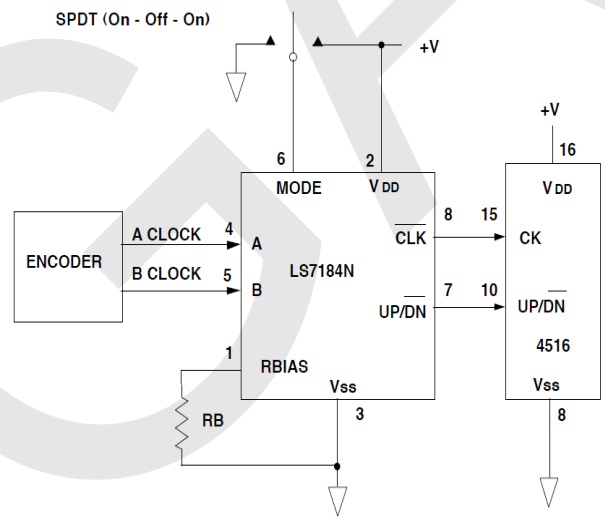
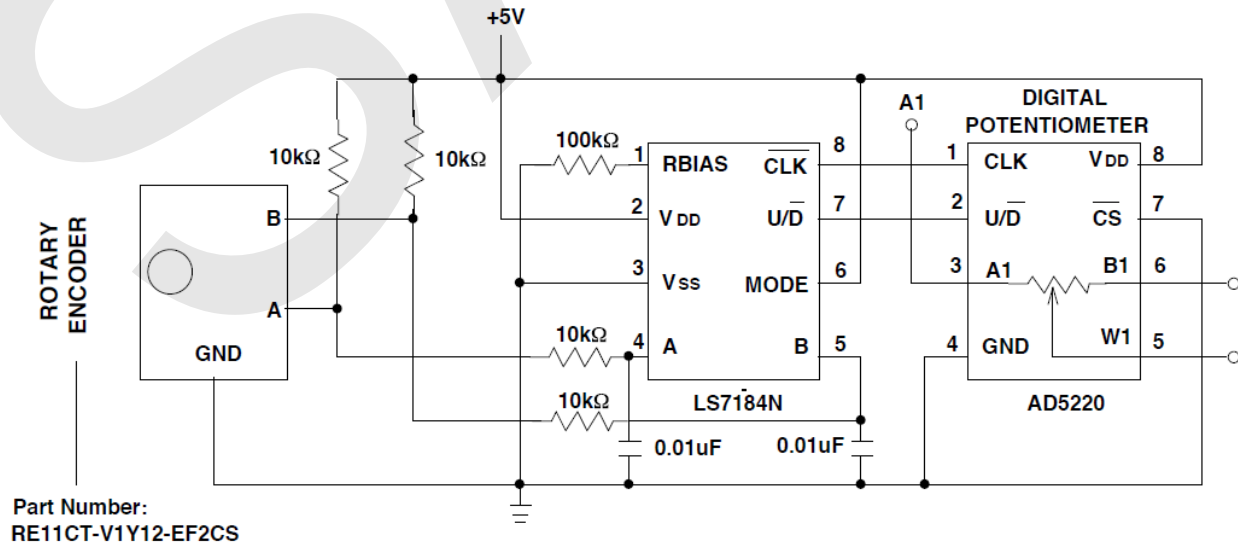


Figure 6B. TYPICAL APPLICATION FOR LS7184N WITH MODE SELECTION

*See NOTE at bottom right of Page 1



Part Number:
RE11CT-V1Y12-EF2CS

FIGURE 7. ROTARY ENCODER CONTROL OF DIGITAL POTENTIOMETER